



Prepared by: Jerico D. Castillo, Teacher II, SHS in San Nicholas III, Bacoor City

PARTS OF MOTHERBOARD

- A. CPU Socket
- B. RAM Slot/ Socket
- C. 24-Pin ATX Power Connector
- D. SATA Controller
- E. CMOS Battery
- F. IDE Controller
- G. AGP Slot
- H. PCI Slot
- I. Northbridge
- J. Southbridge
- K. I/O Controller

ACRONYMS

- **CPU** – Central Processing Unit
- **RAM** – Random Access Memory
- **ATX** – Advanced Technology xtended
- **SATA** – Serial Advanced Technology Attachment
- **CMOS** – Carbon Metal Oxide Semiconductor
- **IDE** – Integrated Drive Electronics
- **AGP** – Accelerated Graphics Port
- **PCI** – Peripheral Component Interconnect
- **I/O** – Input/ Output

WHAT IS MOTHERBOARD?

It is the main circuit board inside a computer that connects the different parts of a computer system.

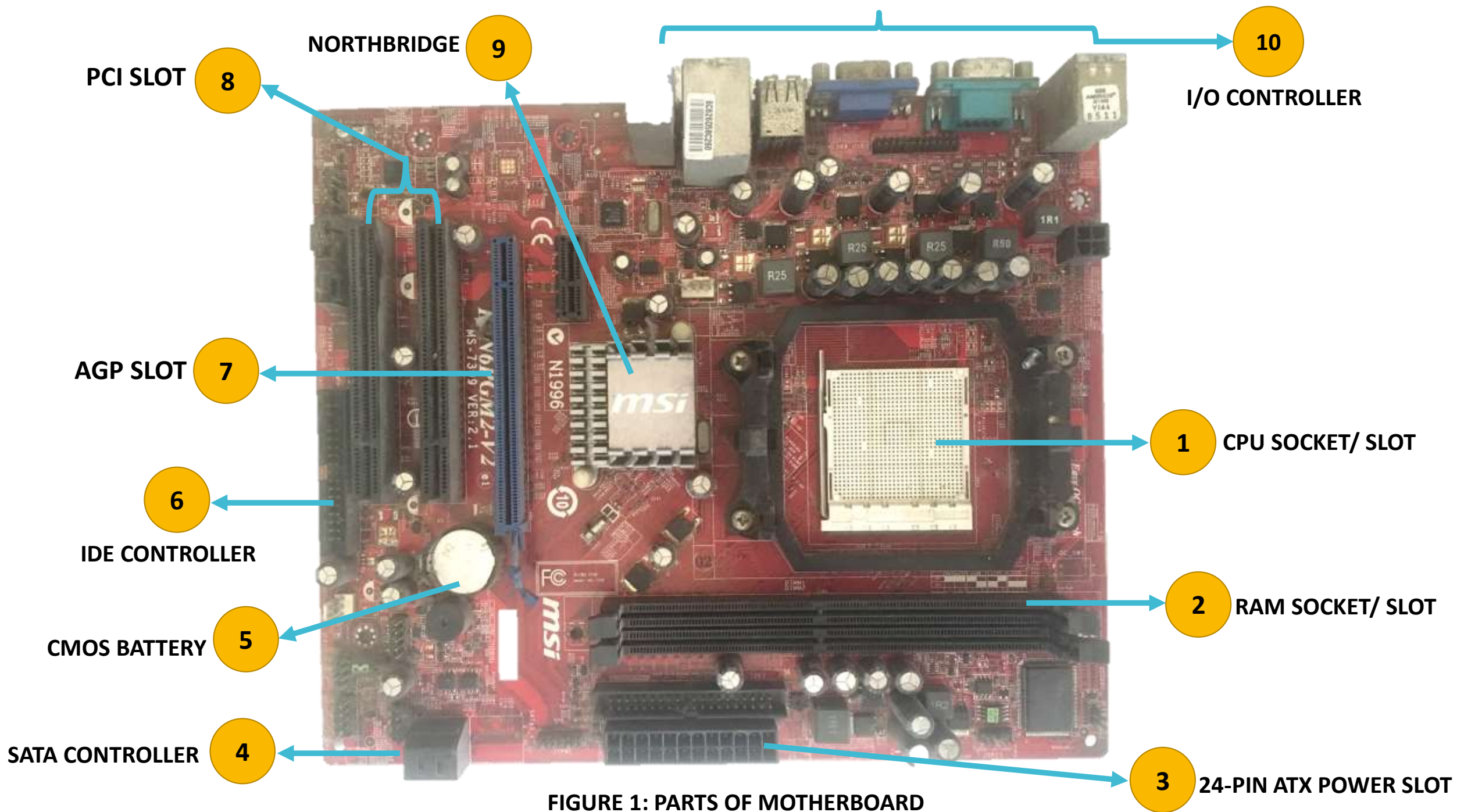
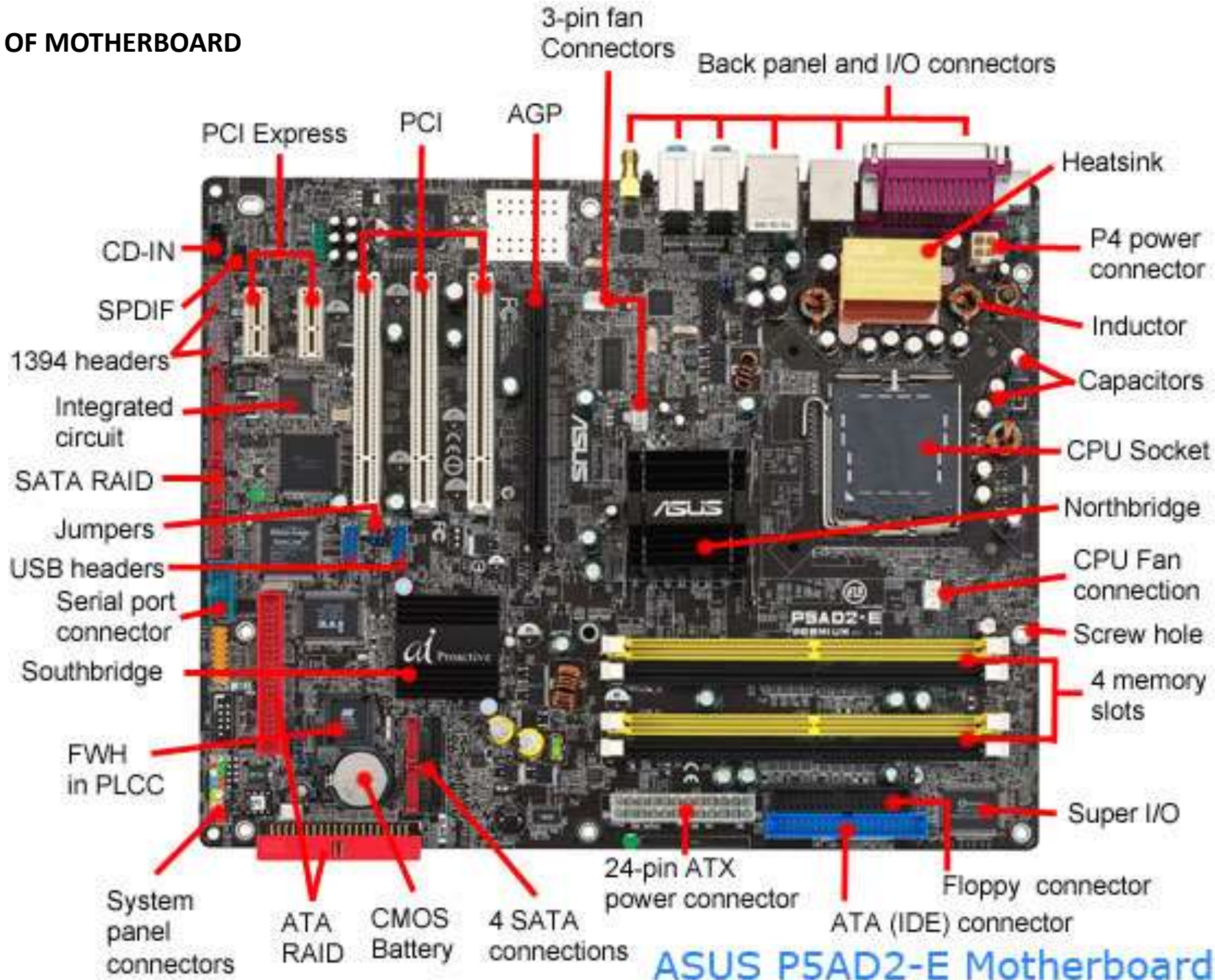


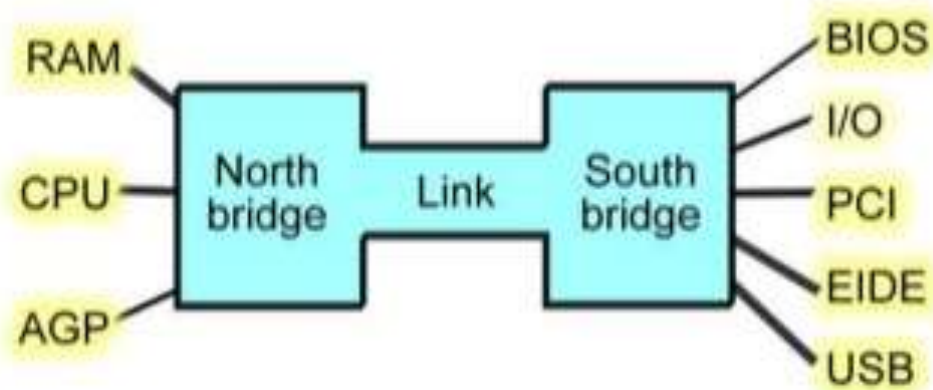
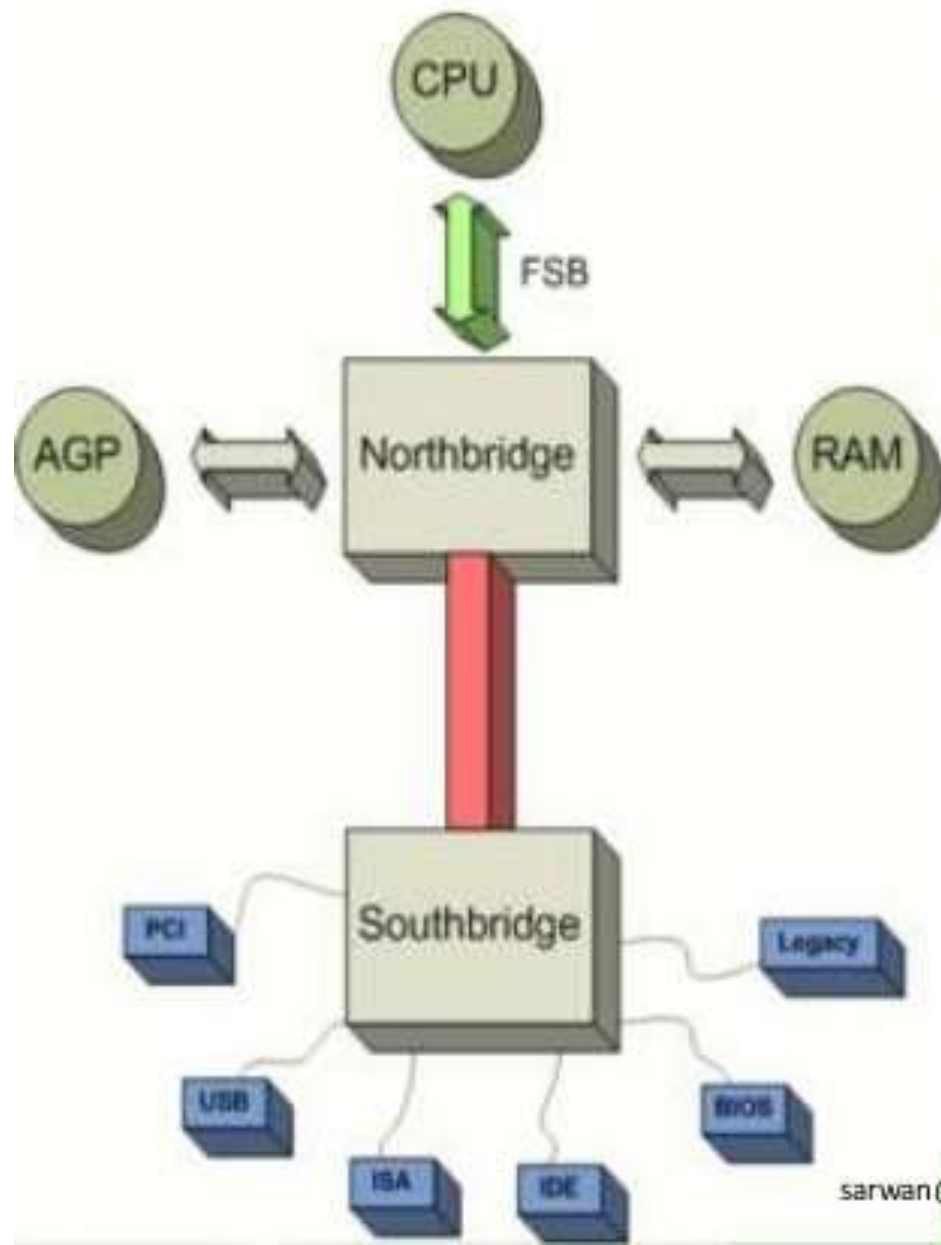
FIGURE 1: PARTS OF MOTHERBOARD

FIGURE 2: PARTS OF MOTHERBOARD



ASUS P5AD2-E Motherboard

North Bridge vs South Bridge



CPU SOCKET

**connection that allows a
computer processors to
be connected to a MoBo**

RAM SLOT

**allows computer
memory (RAM) to be
inserted into the
computer.**

SOUTHBRIDGE

integrated circuit on the MoBo that is responsible for the hard drive controller, I/O controller and integrated hardware such as sound card, USB, PCI, and etc.

NORTHBRIDGE

**integrated circuit that is
responsible for
communications between
the CPU interface, AGP
and the memory**

24-PIN ATX POWER SLOT

**used to connect the
power supply wires**

CMOS BATTERY

**button cell battery that
gives power to CMOS so
that the BIOS setting is
retain when the PC is
turn off**

**IDE
CONTROLLER**

**where to insert the
other end of the IDE
Cable**

PCI SLOT

**a standard widely used
by expansion card
manufacturers**

AGP SLOT

**where to insert the AGP
Video Card**

I/O CONTROLLER

**a type of interface which
a peripheral attaches to
or communicates with
the system unit**

**SATA
CONTROLLER**

**where to insert the
other end of the SATA
Cable**

End of presentation



Prepared by: Jerico D. Castillo, Teacher II, SHS in San Nicholas III, Bacoor City